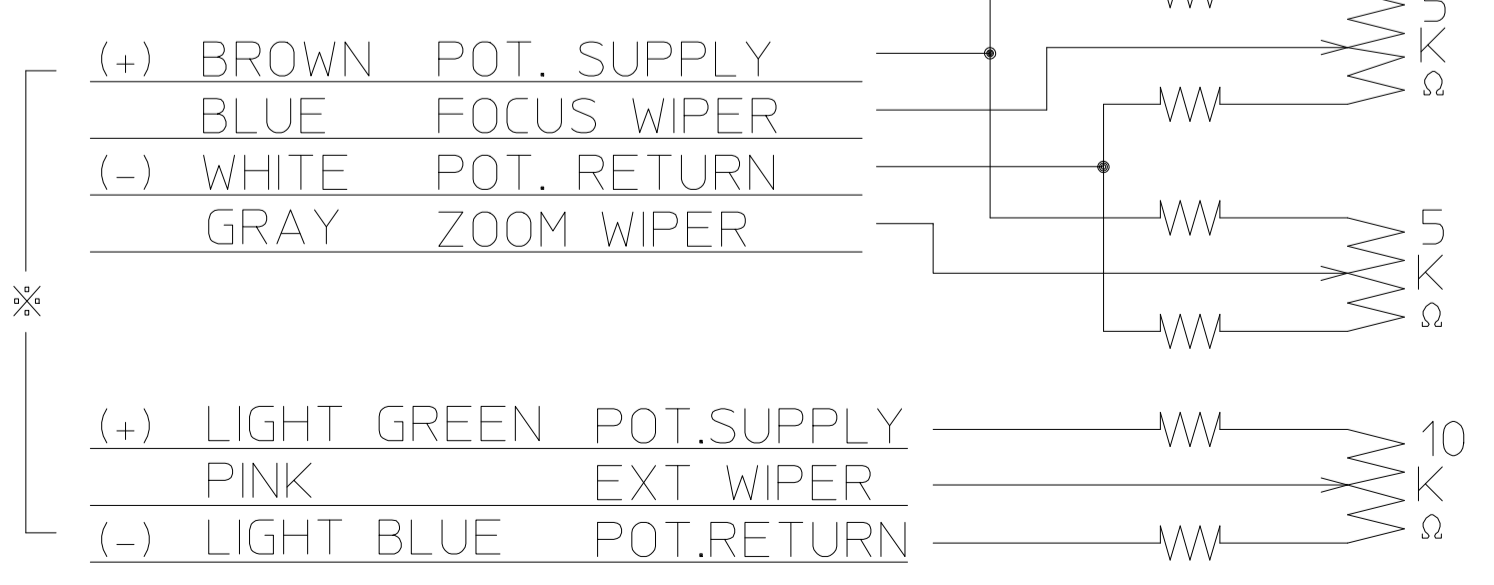


SPECIFICATION

USE	1/1.8" (φ9mm)	
FOCAL LENGTH	f=20~1000mm	f=44~2200mm
IRIS RANGE	F=3.6~22 (Tele:F9.2)	
BACK FOCAL LENGTH	15.9 mm in air	
IMAGE SIZE	5.4x7.2mm (φ9)	4.8x6.4mm (φ8) 5.4x7.2mm (φ9)
FIELD ANGLE	DIA.	(w) 25.1° (t) 0.53° (w) 22.3° (t) 0.47° (w) 11.9° (t) 0.25°
	HOR.	(w) 20.1° (t) 0.42° (w) 17.8° (t) 0.38° (w) 9.4° (t) 0.20°
	VER.	(w) 15.1° (t) 0.32° (w) 13.4° (t) 0.28° (w) 7.1° (t) 0.15°
FIELD OF VIEW AT M.O.D	DIA.	(w) 2115mm (t) 44.3mm (w) 1875mm (t) 39.3mm (w) 991.7mm (t) 20.8mm
	HOR.	(w) 1685mm (t) 35.3mm (w) 1495mm (t) 31.3mm (w) 787.6mm (t) 16.5mm
	VER.	(w) 1260mm (t) 26.4mm (w) 1119mm (t) 23.4mm (w) 587.8mm (t) 12.4mm
DISTORTION (TV)	(w) -0.4% (t) -0.4%	(w) -0.3% (t) -0.3%
FOCUS RANGE	∞~5.0m	
CLEAR APERTURE	FRONT φ110mm	REAR φ17.9mm
EXIT PUPIL POSITION	105.2mm	
WEIGHT	5,850 g (AMDC)	5,850 g (AMPDC)

① MOTOR & POT. CABLE (FOCUS, ZOOM EXTENDER)

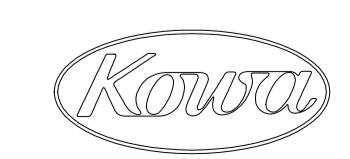
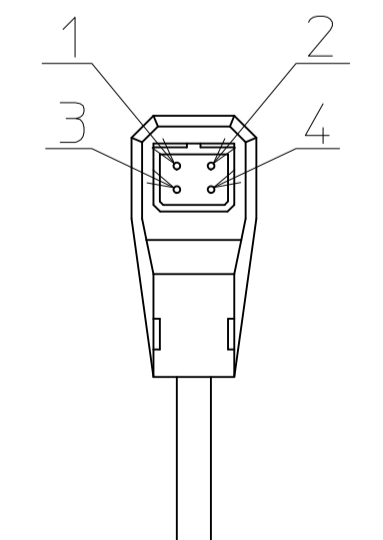
- (+) GREEN FOCUS NEAR
- (+) BLACK FOCUS FAR
- (+) YELLOW ZOOM IN
- (+) RED ZOOM OUT
- (+) WHITE EXT ON
- (+) BROWN EXT OFF



※AMPDC MODEL ONLY.

② IRIS CABLE (DIRECT CONTROL)

DRIVE COIL	RESISTOR	190Ω (20°C)
BRAKE COIL	COLOR	RED(+) 3pin BLACK 4pin
	RESISTOR	1150Ω (20°C)
DRIVE VOLT.	COLOR	YELLOW(+) 2pin GREEN 1pin
	OPEN	LESS THAN +4V
	CLOSE	OVER THAN 0V W/CLOSING SPRING



MODEL NAME	1/1.8" F3.6 40-2200mm
MODEL NUMBER	LMZ2200AMDC-XF LMZ2200AMPDC-XF
Date	2020.11.26