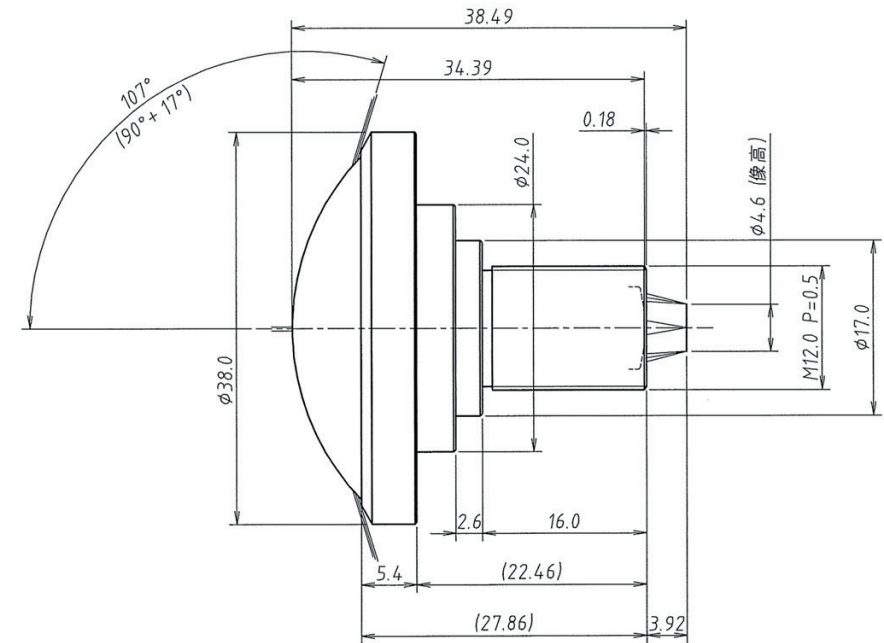




# LM930D-FCM



## LENS SPECIFICATION

Focal length	1.09mm
Back focal length	3.40mm
Mechanical back	3.92mm
Aperture ratio	F/2.8
Image size	$\phi 4.6$
Magnification	-
Distortion	+13.0%

## RESOLUTION MTF

Centre	200LP/mm 37%
Corner	100LP/mm 23%

## PUPIL POSITIONS FROM LENS SURFACE

Entrance pupil	8.41mm (Front lens)
Exit pupil	44.80mm (Image plane)

## PRINCIPAL POINTS FROM LENS SURFACE

Object space	9.52mm (Front lens)
Image space	-1.06mm (Image plane)

## ANGLE OF VIEW INF.

Vertical	-
Horizontal	-
Diagonal	214°

## COATING ( $\lambda=546\text{nm}$ )

All surfaces are anti-reflection coated.  
MgF2 single coated.