

SPECIFICATION

USE	1/2" (φ8mm)	
FOCAL LENGTH	f=20~1000mm	
IRIS RANGE	F=3.5~78	
BACK FOCAL LENGTH	23.91 mm in air	
IMAGE SIZE	4.8x6.4mm (φ8)	3.6x4.8mm (φ6)
FIELD ANGLE	DIA.	(w)22.3° (T)0.47° (w)16.7° (T)0.35°
	HOR.	(w)17.8° (T)0.38° (w)13.4° (T)0.28°
	VER.	(w)13.4° (T)0.28° (w)10.1° (T)0.21°
FIELD OF VIEW AT M.O.D	DIA.	(w)1872mm (T) 39mm (w)1400mm (T) 29mm
	HOR.	(w)1495mm (T) 31mm (w)1120mm (T) 23mm
	VER.	(w)1120mm (T) 23mm (w)839mm (T) 18mm
DISTORTION (TV)	(w)-0.24% (T)-0.19%	(w)-0.13% (T)-0.10%
FOCUS RANGE	∞~5.0m	
CLEAR APERTURE	FRONT φ110mm	REAR φ15.8mm
EXIT PUPIL POSITION	195.1mm	
WEIGHT	5,550 g	

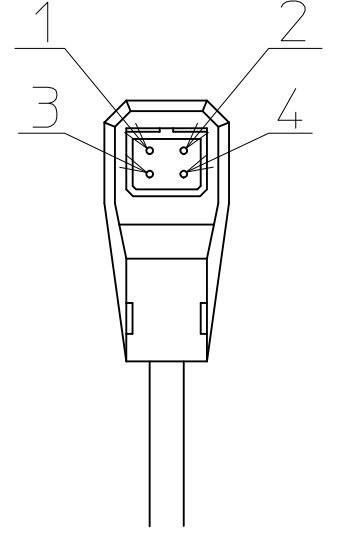
① SERIAL CONTROL. CABLE

14 LINES LOOS END CABLE ASSIGN

SHIELD	SHIELD
BLUE	RS422 RXD-
GRAY	RS422 RXD+
YELLOW	ZOOM WIPER(*)
ORANGE	RS422 TXD- / RS485B(-)
PURPLE	RS422 TXD+ / RS485A(+)
BLACK	POWER GND
BROWN	POWER DC+12V
RED	FOCUS WIPER(*)
GREEN	SIGNAL GND(WIPER GND / GND OF RS422 AND RS485)
WHITE	NC
PINK	FOCUS CONTROL+
LIGHT BLUE	FOCUS CONTROL-
LIGHT GREEN	ZOOM CONTROL+
PURPLE / BLACK	ZOOM CONTROL-

② IRIS CABLE (DIRECT CONTROL)

DRIVE COIL	RESISTOR	190Ω (20°C)
	COLOR	RED(+) 3pin BLACK 4pin
BRAKE COIL	RESISTOR	1150Ω (20°C)
	COLOR	YELLOW(+) 2pin GREEN 1pin
DRIVE VOLT.	OPEN	LESS THAN +4V
	CLOSE	OVER THAN 0V W/CLOSING SPRING



(*)The output of the potentiometer.
0-5V (Typ.) with 470 Ohm series resistor.

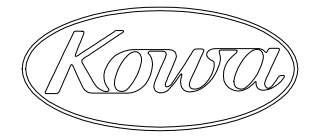
SPECIFICATION

VIDEO INPUT	ANALOGUE VIDEO SIGNAL NTSC/PAL
VIDEO OUTPUT	ANALOGUE VIDEO SIGNAL NTSC/PAL
VIDEO CONNECTOR	TWO BNC(IN AND OUT)
POWER	DC+12V±10%
POWER CONSUMPTION	10W

DIPSW SETTING

DIPSW1	RS422/485 Tx TERMINATOR SWITCH ENABLE(ON)
DIPSW2	RS422 Rx TERMINATOR SWITCH ENABLE(ON)

The termination resistors are 110 ohm.



MODEL NAME	1/2" F3.5/20-1000mm
MODEL NUMBER	LMZ1000AMPDC-XFAF
Date	2020.11.26