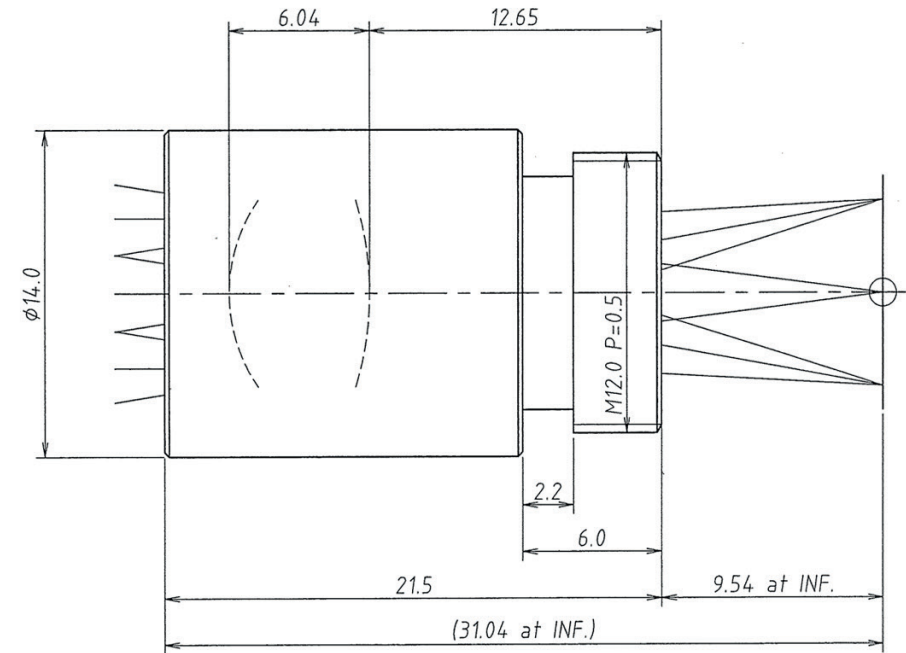




LM25M12-JCM



LENS SPECIFICATION

Focal length	25.39mm ±3%
Back focal length	22.19mm ±3%
Mechanical back	9.54mm ±0.6mm
Aperture ratio	F/4.0 ±5%
Image size	1/2"(6.4mmx4.8mm)
Magnification	-
Distortion	-0.02%

RESOLUTION

Centre	100LP/mm
Corner	40LP/mm

PUPIL POSITIONS FROM LENS SURFACE

Entrance pupil	5.23mm (Front lens)
Exit pupil	-22.09mm (Image plane)

PRINCIPAL POINTS FROM LENS SURFACE

Object space	1.49mm (Front lens)
Image space	-25.39mm (Image plane)

ANGLE OF VIEW INF.

Vertical	10.8°
Horizontal	14.4°
Diagonal	17.9°

COATING (λ=546nm)

All surfaces are anti-reflection coated.
MgF2 single coated.

1/3" (4.8mmx3.6mm)

Angle of view
Vertical: 10.8°
Horizontal: 8.1°
Diagonal: 13.5°