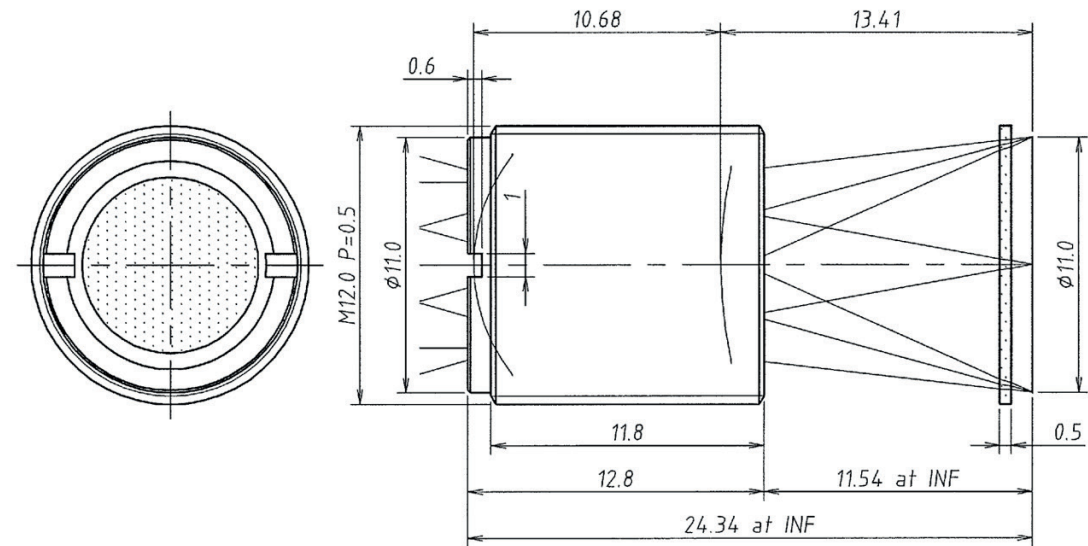




LM200-JCM



LENS SPECIFICATION

Focal length	20.00mm ±5%
Back focal length	13.41mm ±0.3mm at INF
Mechanical back	11.54mm ±0.3mm at INF
Aperture ratio	F/2.8 ±5%
Image size	2/3" (6.6mmx8.8mm)
Magnification	-
Distortion	-1.0%

RESOLUTION

Centre	160LP/mm
Corner	80LP/mm

PUPIL POSITIONS FROM LENS SURFACE

Entrance pupil	2.16mm (Front lens)
Exit pupil	-20.70mm (Image plane)

PRINCIPAL POINTS FROM LENS SURFACE

Object space	2.86mm (Front lens)
Image space	-19.97mm (Image plane)

ANGLE OF VIEW INF.

Vertical	18.8°
Horizontal	25.0°
Diagonal	31.1°

COATING (λ=550nm)

All surfaces are anti-reflection coated.
MgF2 single coated.

Angle of view

Image to object distance = infinity	1/2"	1/3"	1/4"
	(4.8x6.4mm)	(3.6x4.8mm)	(2.7x3.6mm)
Vertical:	13.7°	10.3°	7.7°
Horizontal:	18.2°	13.7°	10.3°
Diagonal:	22.7°	17.1°	12.9°