

SPECIFICATION

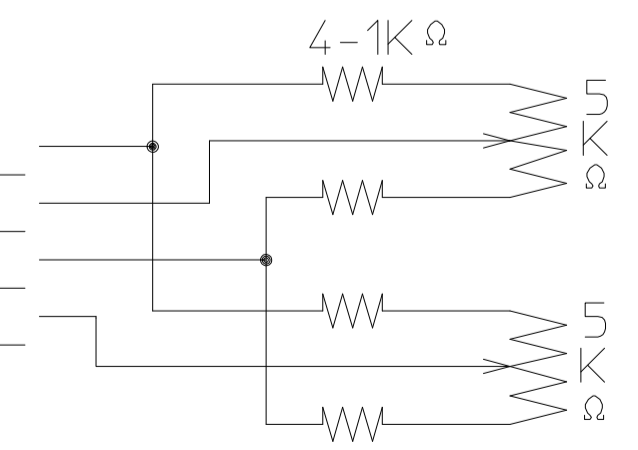
USE	1/2" (φ8mm)	
FOCAL LENGTH	f=20~1000mm	
IRIS RANGE	F=3.5~78	
BACK FOCAL LENGTH	23.91 mm in air	
IMAGE SIZE	4.8x6.4mm (φ8)	3.6x4.8mm (φ6)
FIELD ANGLE	DIA.	(w) 22.3° (T) 0.47° (w) 16.7° (T) 0.35°
	HOR.	(w) 17.8° (T) 0.38° (w) 13.4° (T) 0.28°
	VER.	(w) 13.4° (T) 0.28° (w) 10.1° (T) 0.21°
FIELD OF VIEW AT M.O.D	DIA.	(w) 1872mm (T) 39mm (w) 1400mm (T) 29mm
	HOR.	(w) 1495mm (T) 31mm (w) 1120mm (T) 23mm
	VER.	(w) 1120mm (T) 23mm (w) 839mm (T) 18mm
DISTORTION (TV)	(w) -0.24% (T) -0.19%	(w) -0.13% (T) -0.10%
FOCUS RANGE	∞~5.0m	
CLEAR APERTURE	FRONT φ110mm	REAR φ15.8mm
EXIT PUPIL POSITION	195.1mm	
WEIGHT	5,500 g (AMDC)	5,500 g (AMPDC)

① MOTOR & POT. CABLE (FOCUS, ZOOM)

- (+) GREEN FOCUS NEAR
- (+) BLACK FOCUS FAR
- (+) YELLOW ZOOM IN
- (+) RED ZOOM OUT

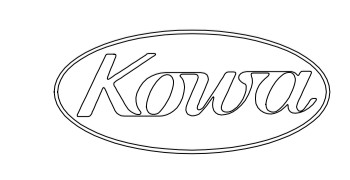
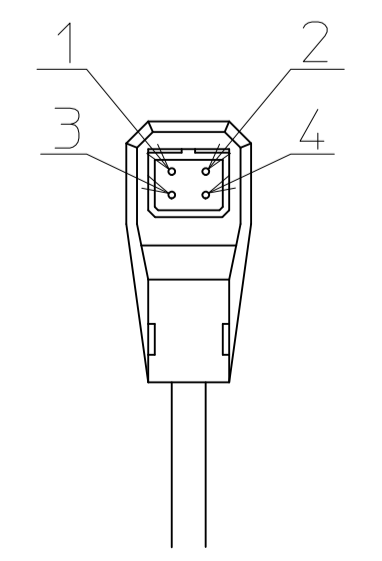
- (+) BROWN POT. SUPPLY
- BLUE FOCUS WIPER
- (-) WHITE POT. RETURN
- GRAY ZOOM WIPER

※AMPDC MODEL ONLY.



② IRIS CABLE (DIRECT CONTROL)

DRIVE COIL	RESISTOR	190Ω (20°C)
	COLOR	RED(+) 3pin BLACK 4pin
BRAKE COIL	RESISTOR	1150Ω (20°C)
	COLOR	YELLOW(+) 2pin GREEN 1pin
DRIVE VOLT.	OPEN	LESS THAN +4V
	CLOSE	OVER THAN 0V W/CLOSING SPRING



MODEL NAME	1/2" F3.5/20-1000mm
MODEL NUMBER	LMZ1000AMDC-XF LMZ1000AMPDC-XF
Date	2020.11.26