

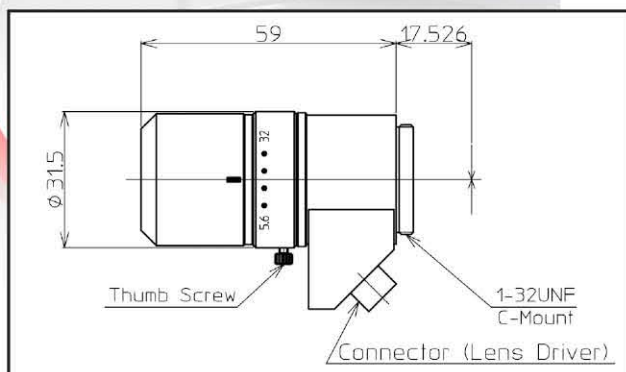
Kowa

Fast Autofocus Solution

Kowa lens and Optotune liquid lens

- 35mm focal length
- F5.6 to F32
- 250 - 500mm WD with Optotune EL-10-30
- 250mm - ∞ (Infinity) with Optotune EL-16-40
- No orientation dependence

Kowa lens design rated for 1" camera sensors



1" 5.6/35mm C	1"	2/3"	1/1.8"	
FOCAL LENGTH	f=35mm			
MAX. DIAMETER (RATIO)	F=1:5.6~32			
ELEMENT AND GROUP	6 GROUPS 7 ELEMENTS			
FOCUSING RANGE	250mm - 500mm or 250mm to infinity			
IMAGE SIZE	9.6x12.8mm	6.6x8.8mm	5.4x7.2mm	
FIELD OF VIEW (FOR Max.O.D. TARGET)	VER.	270.6mm	186.1mm	152.3mm
	HOR.	360.5mm	248.1mm	203.0mm
	DIA.	450.3mm	310.0mm	253.7mm
FIELD OF VIEW (FOR Min.O.D. TARGET)	VER.	76.6mm	52.6mm	43.0mm
	HOR.	102.3mm	70.2mm	57.4mm
	DIA.	128.3mm	87.8mm	71.8mm
TV DISTORTION (FAR)	0.07%			
TV DISTORTION (NEAR)	-0.25%			
FLANGE BACK	17.526mm in air			
BACK FOCUS	18.7mm in air			
FILTER THREAD SIZE	---			
FRONT/REAR EFFECTIVE DIA.	FRONT ϕ 13.4mm	REAR ϕ 10mm		
MOUNT	C-MOUNT			
TEMPERATURE RANGE	-10~+50 °C			
STORAGE TEMPERATURE RANGE	-20~+60 °C			
RESOLUTION CENTER/CORNER	CENTER 120L/mm	CORNER 80L/mm		
LENS COATING	MULTI COATING			

Kowa Optimed Deutschland GmbH

Fichtenstr. 123, 40233 Duesseldorf, Germany

T: +49 (0)211-542184-00

F: +49 (0)211-542184-10

E-mail: lens@kowaoptimed.com

www.kowa-lenses.com