

SPECIFICATION

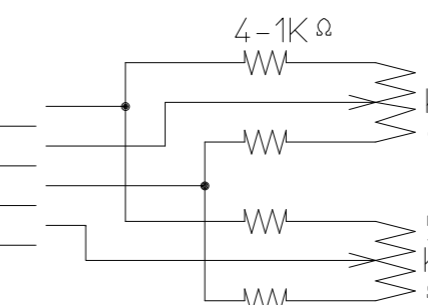
USE	1" (φ16mm)					
FOCAL LENGTH	f=25~300mm					
IRIS RANGE	F=2.8~61					
BACK FOCAL LENGTH	41.9 mm in air					
IMAGE SIZE	12.8x9.6mm (φ16)		5.4x7.2mm (φ9)		4.8x6.4mm (φ8)	
FIELD ANGLE	DIA.	(w)35.8° (T)3.1°	(w)20.4° (T)1.8°	(w)24.8° (T)2.1°		
	HOR.	(w)28.6° (T)2.5°	(w)16.4° (T)1.4°	(w)19.9° (T)1.7°		
	VER.	(w)21.7° (T)1.9°	(w)12.3° (T)1.1°	(w)15.0° (T)1.3°		
FIELD OF VIEW AT M.O.D	DIA.	(w)1193mm (T)101mm	(w)678mm (T)58mm	(w)603mm (T)51mm		
	HOR.	(w)959mm (T)81mm	(w)543mm (T)46mm	(w)483mm (T)41mm		
	VER.	(w)723mm (T)61mm	(w)408mm (T)35mm	(w)363mm (T)31mm		
DISTORTION (TV)	(w)0.1% (T)0.5%	(w)0.1% (T)0.1%	(w)0.1% (T)0.1%	(w)0.1% (T)0.3%		
FOCUS RANGE	∞~2.0m					
CLEAR APERTURE	FRONT φ74.8mm		REAR φ20.1mm			
EXIT PUPIL POSITION	-182.2mm					
WEIGHT	2,250 g(AMDC)		2,250 g(AMPDC)			

① MOTOR & POT. CABLE (FOCUS, ZOOM)

- (+) GREEN FOCUS NEAR
- (+) BLACK FOCUS FAR
- (+) YELLOW ZOOM IN
- (+) RED ZOOM OUT

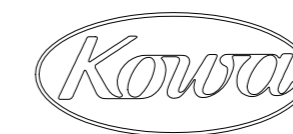
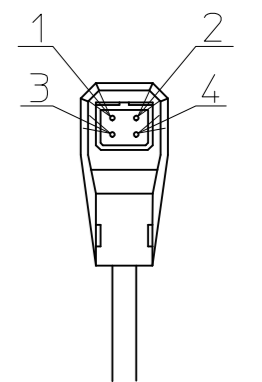
- (+) BROWN POT. SUPPLY
- * BLUE FOCUS WIPER
- (-) WHITE POT. RETURN
- GRAY ZOOM WIPER

* AMPDC MODEL ONLY.



② IRIS CABLE (DIRECT CONTROL)

DRIVE COIL	RESISTOR	190Ω (20°)
	COLOR	RED(+) 3pin
		BLACK 4pin
BRAKE COIL	RESISTOR	1150Ω (20°)
	COLOR	YELLOW(+) 2pin
		GREEN 1pin
DRIVE VOLT.	OPEN	LESS THAN +4V
	CLOSE	OVER THAN 0V
		W/CLOSING SPRING



		MODEL NAME	1" F2.8 25-300mm
		MODEL NUMBER	LMZ25300AMDC-IR
			LMZ25300AMPDC-IR
2021.11.04	Date		