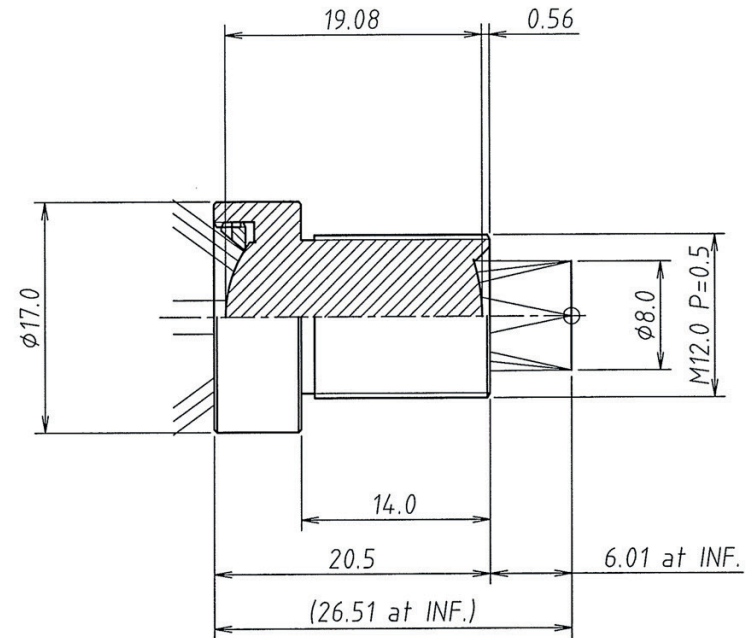




# LM060D-NCM



## LENS SPECIFICATION

Focal length	6.00mm ±5%
Back focal length	6.58mm ±5%
Mechanical back	6.01mm ±0.3mm
Aperture ratio	F/2.4
Image size	1/2" CCD (4.8x6.4)
Magnification	-
Distortion	-9.0%

## RESOLUTION

Centre	200LP/mm
Corner	80LP/mm

## PUPIL POSITIONS FROM LENS SURFACE

Entrance pupil	6.46mm (Front lens)
Exit pupil	-26.22mm (Image plane)

## PRINCIPAL POINTS FROM LENS SURFACE

Object space	11.08mm (Front lens)
Image space	-6.00mm (Image plane)

## ANGLE OF VIEW INF.

Vertical	45.0°
Horizontal	59.1°
Diagonal	72.5°

## COATING (λ=546nm)

All surfaces are anti-reflection coated.  
MgF2 single coated.

## Angle of view

Image to object distance = infinity	1/4"	1/3"
	(2.7mmx3.6mm)	(3.6mmx4.8mm)
Vertical:	25.6°	34.0°
Horizontal:	34.0°	45.0°
Diagonal:	42.3°	55.6°