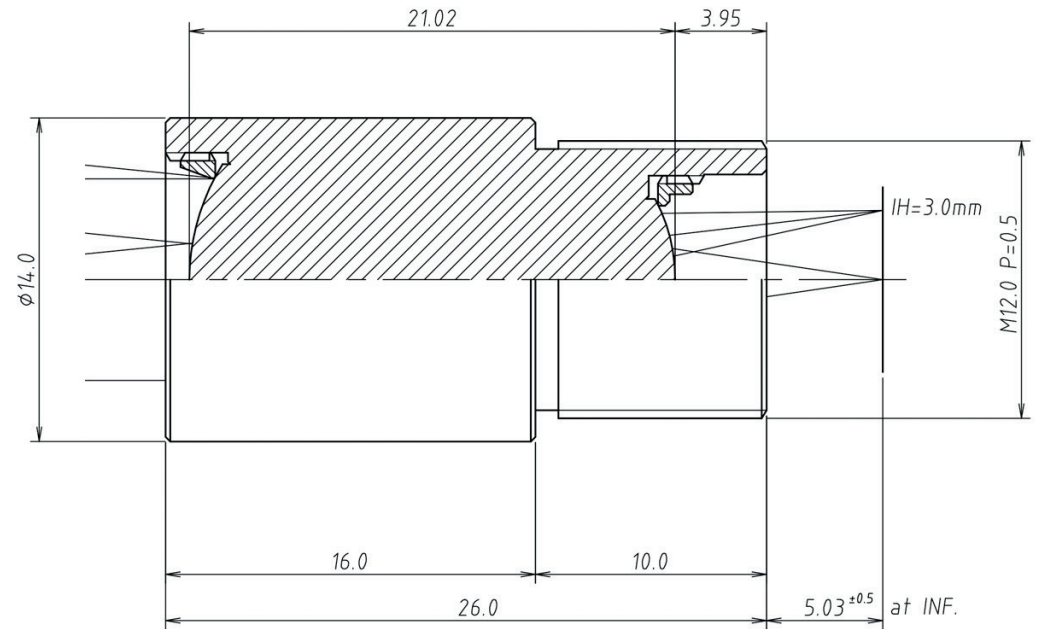




LM340M12-NCM



LENS SPECIFICATION

Focal length	30.00mm ±5%
Back focal length	8.98mm ±5%
Mechanical back	5.03mm ±0.5mm
Aperture ratio	F/3.4 ±5%
Image size	1/3" (3.6mmx4.8mm)
Magnification	-
Distortion	+0.01%

RESOLUTION

Centre	160LP/mm
Corner	80LP/mm

PUPIL POSITIONS FROM LENS SURFACE

Entrance pupil	28.18mm (Front lens)
Exit pupil	-18.54mm (Image plane)

PRINCIPAL POINTS FROM LENS SURFACE

Object space	9.63mm (Front lens)
Image space	-30.00mm (Image plane)

ANGLE OF VIEW INF.

Vertical	6.9°
Horizontal	9.2°
Diagonal	11.4°

COATING (λ=546nm)

All surfaces are anti-reflection coated.
MgF2 single coated.