

SPECIFICATION

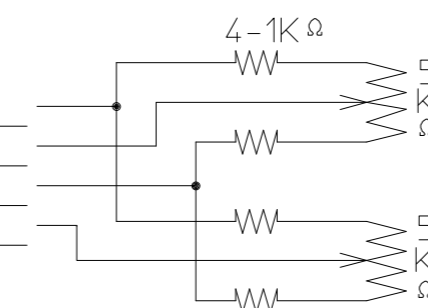
USE	1/1.8" (φ9mm)					
FOCAL LENGTH	f=20~750mm					
IRIS RANGE	F=4.6~110					
BACK FOCAL LENGTH	49.7 mm in air					
IMAGE SIZE	5.4x7.2mm (φ9)		4.8x6.4mm (φ8)		3.6x4.8mm (φ6)	
FIELD ANGLE	DIA.	(w) 24.8° (T) 0.69°	(w) 22.1° (T) 0.61°	(w) 16.8° (T) 0.46°		
	HOR.	(w) 20.0° (T) 0.55°	(w) 17.9° (T) 0.49°	(w) 13.5° (T) 0.37°		
	VER.	(w) 15.1° (T) 0.41°	(w) 13.5° (T) 0.37°	(w) 10.1° (T) 0.28°		
FIELD OF VIEW AT M.O.D	DIA.	(w) 2148mm (T) 60mm	(w) 1918mm (T) 53mm	(w) 1445mm (T) 40mm		
	HOR.	(w) 1728mm (T) 48mm	(w) 1540mm (T) 43mm	(w) 1159mm (T) 32mm		
	VER.	(w) 1302mm (T) 36mm	(w) 1159mm (T) 32mm	(w) 870mm (T) 24mm		
DISTORTION (TV)	(w) 0.44% (T) 0.21%	(w) -0.3% (T) -0.02%	(w) -0.3% (T) 0.00%			
FOCUS RANGE	∞~5.0m					
CLEAR APERTURE	FRONT φ104mm		REAR φ14.2mm			
EXIT PUPIL POSITION	-87.0mm					
WEIGHT	4,700 g (AMDC)			4,700 g (AMPDC)		

① MOTOR & POT. CABLE (FOCUS, ZOOM)*

- (+) GREEN FOCUS NEAR
- (+) BLACK FOCUS FAR
- (+) YELLOW ZOOM IN
- (+) RED ZOOM OUT

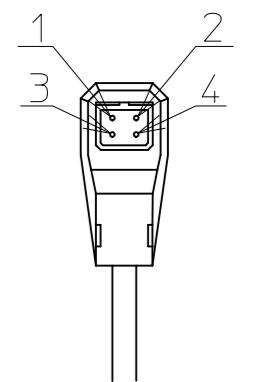
- (+) BROWN POT. SUPPLY
- BLUE FOCUS WIPER
- (-) WHITE POT. RETURN
- GRAY ZOOM WIPER

* AMPDC MODEL ONLY.



② IRIS CABLE (DIRECT CONTROL)

DRIVE COIL	RESISTOR	190Ω (20°)
	COLOR	RED(+) 3pin BLACK 4pin
BRAKE COIL	RESISTOR	1150Ω (20°)
	COLOR	YELLOW(+) 2pin GREEN 1pin
DRIVE VOLT.	OPEN	LESS THAN +4V
	CLOSE	OVER THAN 0V W/CLOSING SPRING



		MODEL NAME	1/1.8" F4.6 20-750mm
		MODEL NUMBER	LMZ20750AMDC-XF LMZ20750AMPDC-XF
2020.11.26	Date		