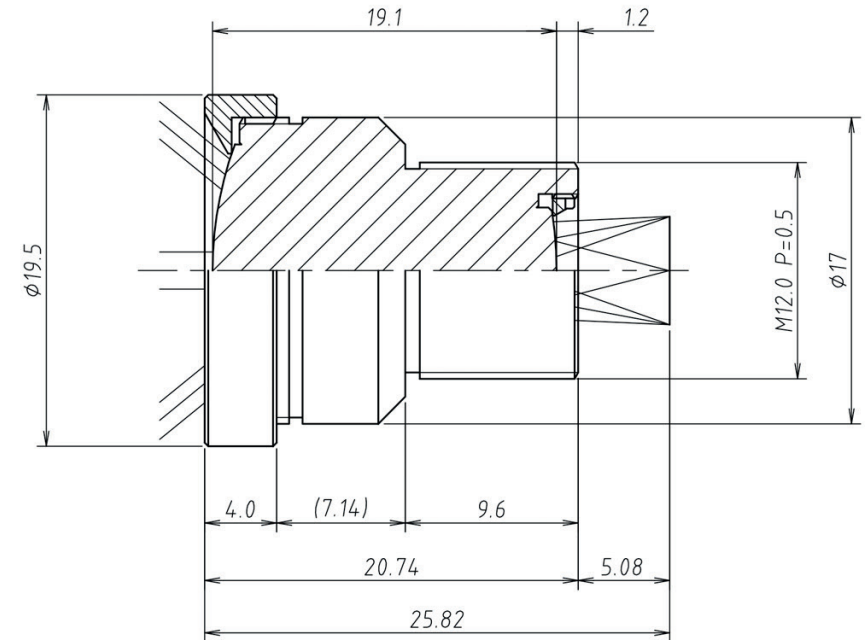




LM410-TCM



LENS SPECIFICATION

Focal length	4.12mm ±5%
Back focal length	6.31mm ±5%
Mechanical back	5.28mm ±0.3mm
Aperture ratio	F/2.0 ±5%
Image size	1/3" (3.6mmx4.8mm)
Magnification	-
Distortion	-10.6%

RESOLUTION

Centre	125LP/mm
Corner	80LP/mm

PUPIL POSITIONS FROM LENS SURFACE

Entrance pupil	5.68mm (Front lens)
Exit pupil	-29.78mm (Image plane)

PRINCIPAL POINTS FROM LENS SURFACE

Object space	9.23mm (Front lens)
Image space	-4.09mm (Image plane)

ANGLE OF VIEW INF.

Vertical	49.4°
Horizontal	64.7°
Diagonal	78.4°

COATING (λ=550nm)

All surfaces are anti-reflection coated.
MgF2 single coated.