



GigE Vision Series

1.3 MP Monochrome Camera

KC130GC4MX

 Anti-vibration

 Anti-shock



Anti-vibration imaging Camera

This product is an industrial camera equipped with a **global shutter**, **CMOS image sensor** and **GigE interface**.

Applicable Standards

Vibration test 10G : pass

Shock test 75G : pass

Anti-vibration: IEC60068-2-6(JIS C60068-2-6)

Anti-shock: MIL-STD-810H

Features

- C mount Camera
- High performance and high quality
- Extensive know-how and solid technical capabilities

Applications

- Inspection
- Measurement
- Character recognition
- Robot vision

Recommend Lenses Series

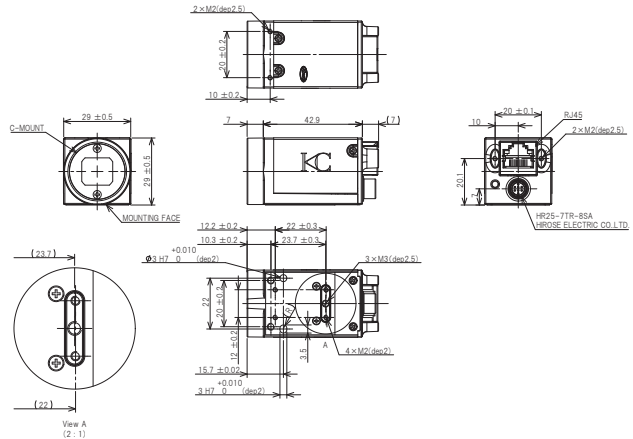


Kowa Optimed Deutschland GmbH

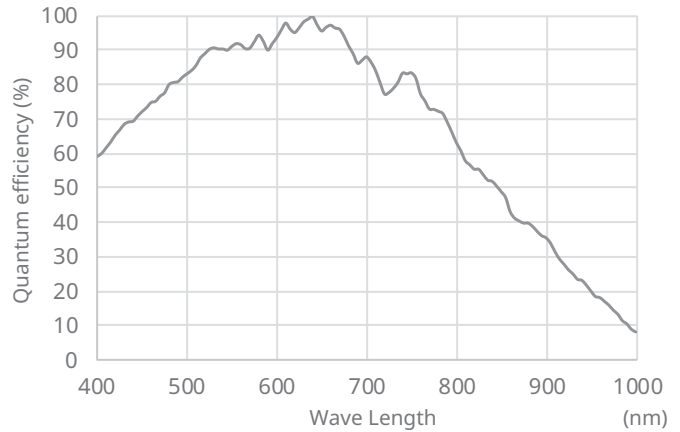
Specifications

Feature	Description
Monochrome / Color	Monochrome
Interface	GigE Vision
Sensor	EV76C560
Sensor size	1/1.8"
Resolution	1280(H) x 1024(V)
Pixel size (µm)	5.3(H) x 5.3(V)
Electronic shutter	Global Shutter
Frames per second	55fps
Power supply	PoE or DC24V
Power consumption	Less than 4.5W
Operating temperature	0°C - +45°C (No condensation) ※Appropriate heat radiation is required
Operating humidity	20% - 80%RH (No condensation)
Storage temperature	-30°C - +60°C (No condensation)
Storage humidity	20% - 90%RH (No condensation)
Operational vibration	10G
Operational shock	75G
Dimensions (mm)	29(W) x 29(H) x 42.9(D) (Excluding Projections)
Lens mount	C mount
Weight (without lens)	Approx. 70g

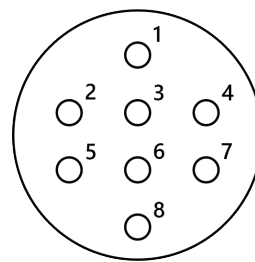
Dimensions



Spectral response and quantum efficiency



Connector pin assignment



- | | |
|----|--------------|
| 1. | DC+24V IN |
| 2. | GND |
| 3. | GPO |
| 4. | PWM |
| 5. | GND |
| 6. | N/A |
| 7. | N/A |
| 8. | DC+3.6V(N/C) |



Kowa Optimed Deutschland GmbH

Please feel free to contact our team with any questions or further enquiries at
vision@kowaoptimed.com
 we will be happy to provide assistance and consultation.

Fichtenstr. 123, 40233 Duesseldorf, Germany
 TEL: +49-(0)211-542184-0
www.kowa-lenses.com

Kowa Optronics Co.,Ltd.

2F Kudan Center Bldg. 4-1-7, Kudan-Kita,
 Chiyoda-Ku, Tokyo, Japan
 TEL : 03-5651-7050

6-29, Nishiki 3-chome, Naka-ku,
 Nagoya, Aichi, Japan
 TEL : 052-963-393