

SPECIFICATION

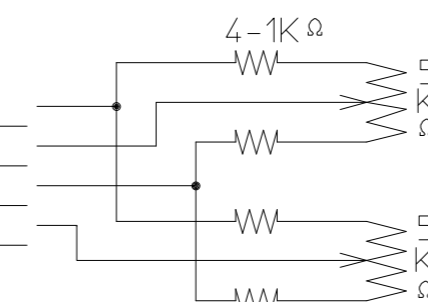
USE	1/1.8" (φ9mm)					
FOCAL LENGTH	f=12~360mm					
IRIS RANGE	F=2.6~53					
BACK FOCAL LENGTH	24.5 mm in air					
IMAGE SIZE	5.4x7.2mm (φ9)		4.8x6.4mm (φ8)		3.6x4.8mm (φ6)	
FIELD ANGLE	DIA.	(W) 40.8° (T) 1.46°	(W) 36.5° (T) 1.30°	(W) 27.6° (T) 0.98°		
	HOR.	(W) 32.9° (T) 1.17°	(W) 29.4° (T) 1.05°	(W) 22.1° (T) 0.79°		
	VER.	(W) 24.8° (T) 0.88°	(W) 22.1° (T) 0.79°	(W) 16.6° (T) 0.59°		
FIELD OF VIEW AT M.O.D	DIA.	(W) 1252mm (T) 43.6m	(W) 1113mm (T) 38.8mm	(W) 833mm (T) 29.3mm		
	HOR.	(W) 1001mm (T) 35mm	(W) 889mm (T) 31.2mm	(W) 666mm (T) 23.4mm		
	VER.	(W) 749mm (T) 26.4m	(W) 666mm (T) 23.4mm	(W) 499mm (T) 17.6mm		
DISTORTION (TV)	(W) -0.6% (T) 0.38%	(W) -0.5% (T) 0.26%	(W) -0.3% (T) 0.15%			
FOCUS RANGE	∞~1.8m					
CLEAR APERTURE	FRONT φ81mm		REAR φ18mm			
EXIT PUPIL POSITION	-136.4mm					
WEIGHT	1,950 g (AMDC)			1,950 g (AMPDC)		

① MOTOR & POT. CABLE (FOCUS, ZOOM)*

(+) GREEN	FOCUS NEAR
(+) BLACK	FOCUS FAR
(+) YELLOW	ZOOM IN
(+) RED	ZOOM OUT

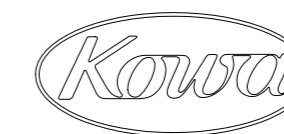
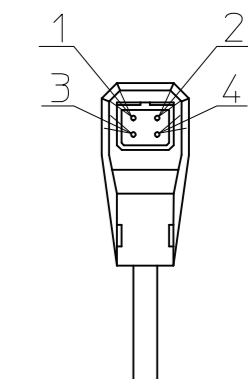
(+) BROWN	POT. SUPPLY
BLUE	FOCUS WIPER
(-) WHITE	POT. RETURN
GRAY	ZOOM WIPER

* AMPDC MODEL ONLY.



② IRIS CABLE (DIRECT CONTROL)

DRIVE COIL	RESISTOR	190Ω (20°)
	COLOR	RED(+) 3pin BLACK 4pin
BRAKE COIL	RESISTOR	1150Ω (20°)
	COLOR	YELLOW(+) 2pin GREEN 1pin
DRIVE VOLT.	OPEN	LESS THAN +4V
	CLOSE	OVER THAN 0V W/CLOSING SPRING



MODEL NAME	1/1.8" F2.6 12-360mm	
MODEL NUMBER	LMZ1236AMDC-XF LMZ1236AMPDC-XF	
2020.11.26	Date	