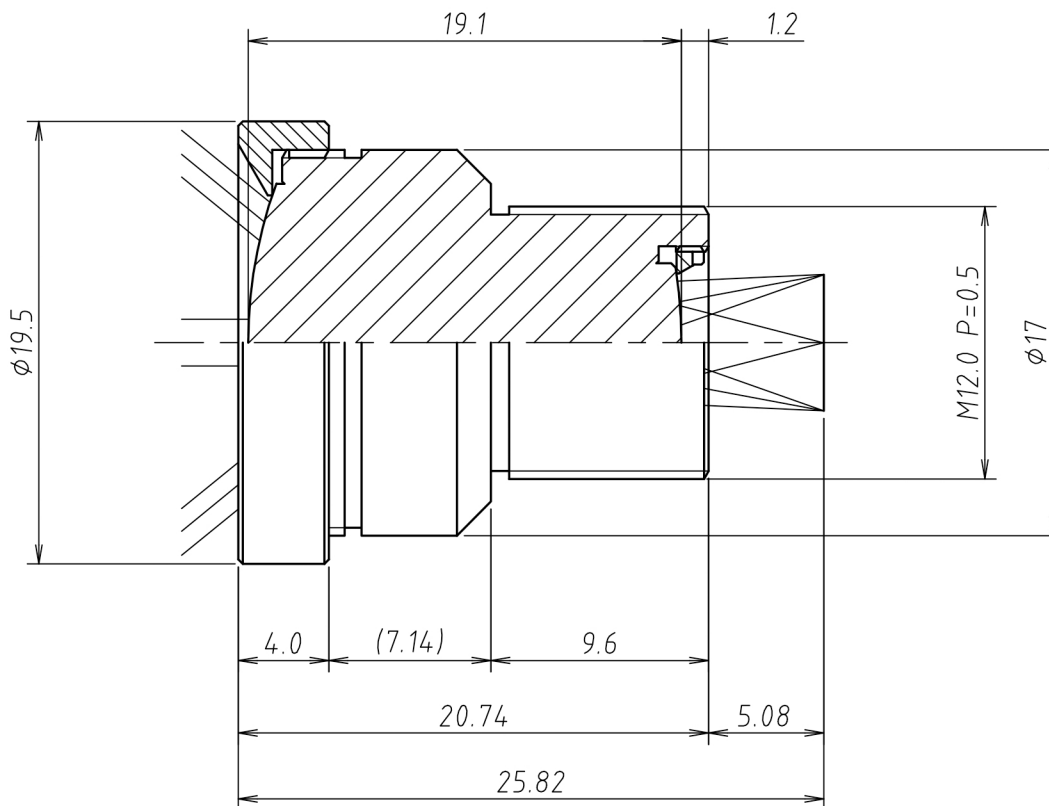


「RoHS指令」に準ずる。

Lens Specification	
Focal length	4.12mm±5%
Back focal length	6.31mm±5%
Mechanical back	5.28mm±0.3mm
Aperture ratio	F/2.0±5%
Image size	1/3"(3.6mmx4.8mm)
Magnification	-
Distortion	-10.6%
Angle of view at INF.	
Vertical	49.4°
Horizontal	64.7°
Diagonal	78.4°
Resolution	
Center	125LP/mm
Corner	80LP/mm
Pupil positions	
Entrance pupil	5.68mm (Front lens)
Exit pupil	-29.78mm (Image plane)
Principal points	
Object space	9.23mm (Front lens)
Image space	-4.09mm (Image plane)
Coating (λ=550nm)	
All surfaces are antireflection coated. MgF2 single coated.	

指定以外ノ寸法公差 (±)					
ヨビ寸法	等級	0級	1級	2級	3級
	4以下	0.05	0.1	0.1	0.1
4マコエ	16マデ	0.05	0.1	0.1	0.2
16マコエ	63マデ	0.05	0.1	0.2	0.3
63マコエ	250マデ	0.1	0.2	0.3	0.5



LM410-TCM