



Machine Vision in Focus

SEE WIDE | SEE SWIR



LM6HC-SW

NEW

SWIR OPTIMIZED | 6mm WIDE ANGLE MODEL



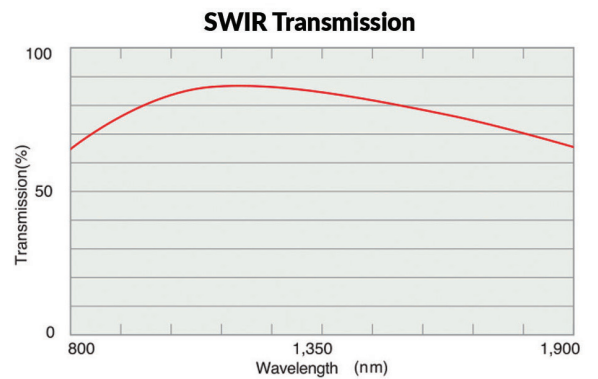
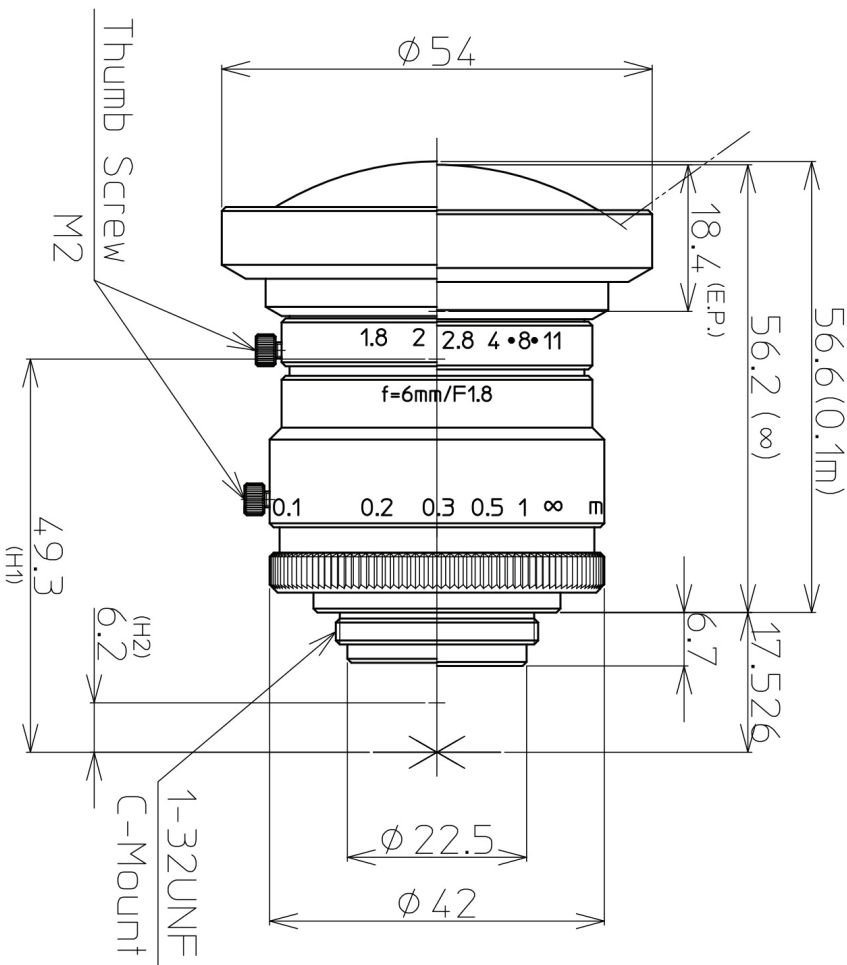
Machine Vision in Focus

LM6HC-SW

Incorporating Kowa's special coating technology, the 1" format HC-SW series maintains high transmission from 800nm to 1900nm. Designed for Near Infrared (NIR) and Short Wavelength Infrared (SWIR) applications.

NEW

LM6HC-SW



6 mm F1.8

Other lenses in the series

8 mm	12 mm	16 mm
25 mm	35 mm	50 mm

Focal length	Aperture	Minimum working distance	Angle of view (Horizontal)	Angle of view (Vertical)	Operating temperature	Distortion (TV)
6mm	F1.8	0.1m	96.8°	79.4°	-10 ~ +50°C	-0.2%

Kowa Optimed Deutschland GmbH

Fichtenstrasse 123, 40233 Düsseldorf, Germany
Phone: +49 (0)211-542184-00 Facsimile: +49 (0)211-542184-10
E-mail: lens@kowaoptimed.com URL: <https://www.kowa-lenses.com/>

Kowa Optronics Co., Ltd.

4th Fl., Toko Bldg. 11-1 Nihonbashi-honcho 4-chome, Chuo-ku, Tokyo 103-0023, Japan
Phone: +81(3)5651-7061 Facsimile: +81(3)5651-7310
E-mail: opt-cctv@kowa.co.jp URL: <http://www.kowa-optical.co.jp/fa/e/>

Kowa American Corporation

20001 South Vermont Avenue, Torrance, CA 90502, U.S.A.
Phone: +1(310)327-1913 Facsimile: +1(310)327-4177
E-mail: customerservice@kowa.com URL: <http://www.kowa-usa.com>



www.kowa-lenses.com

